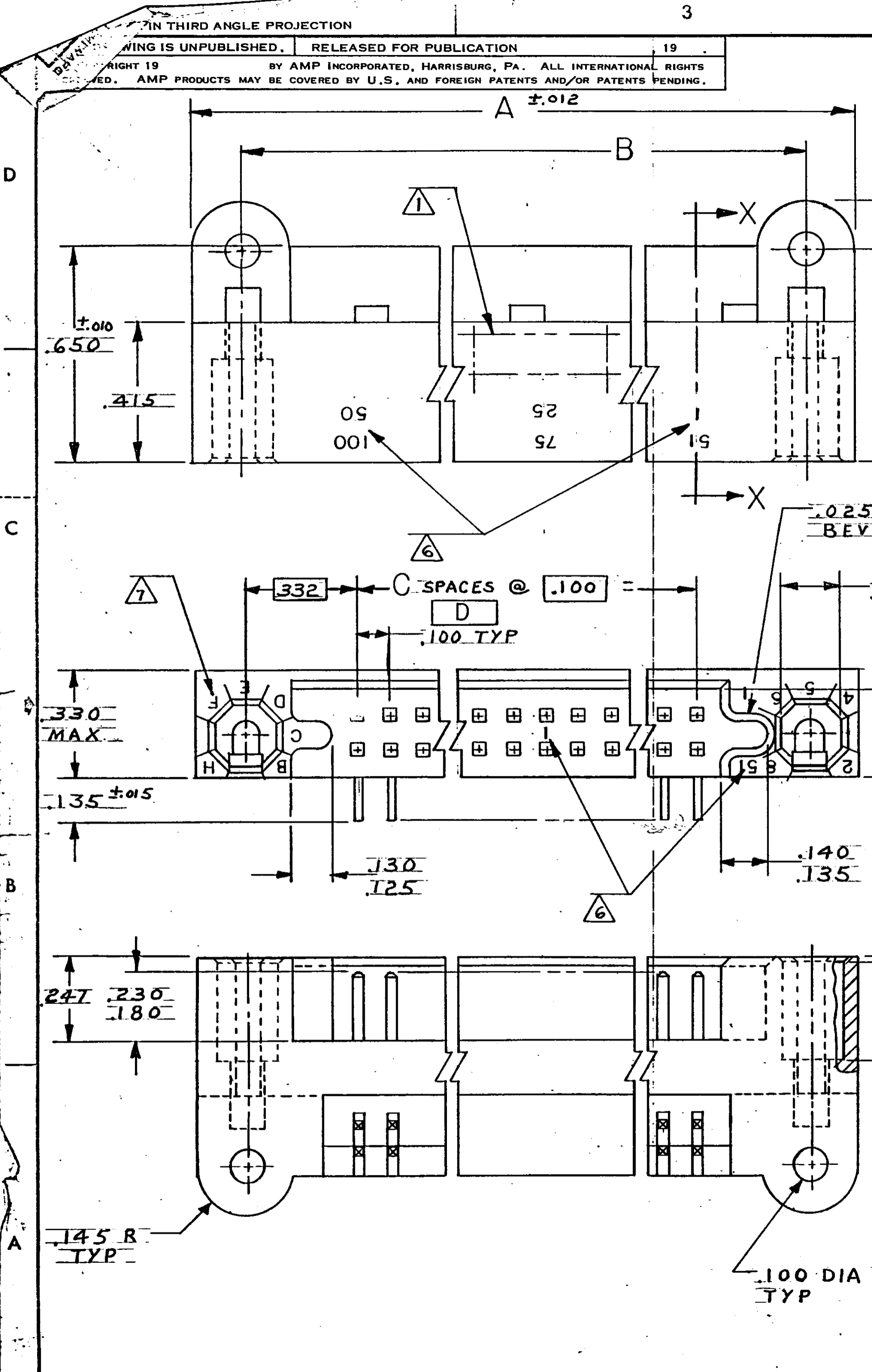


IN THIRD ANGLE PROJECTION

THIS DRAWING IS UNPUBLISHED. RELEASED FOR PUBLICATION 19
 BY AMP INCORPORATED, HARRISBURG, PA. ALL INTERNATIONAL RIGHTS RESERVED. AMP PRODUCTS MAY BE COVERED BY U.S. AND FOREIGN PATENTS AND/OR PATENTS PENDING.

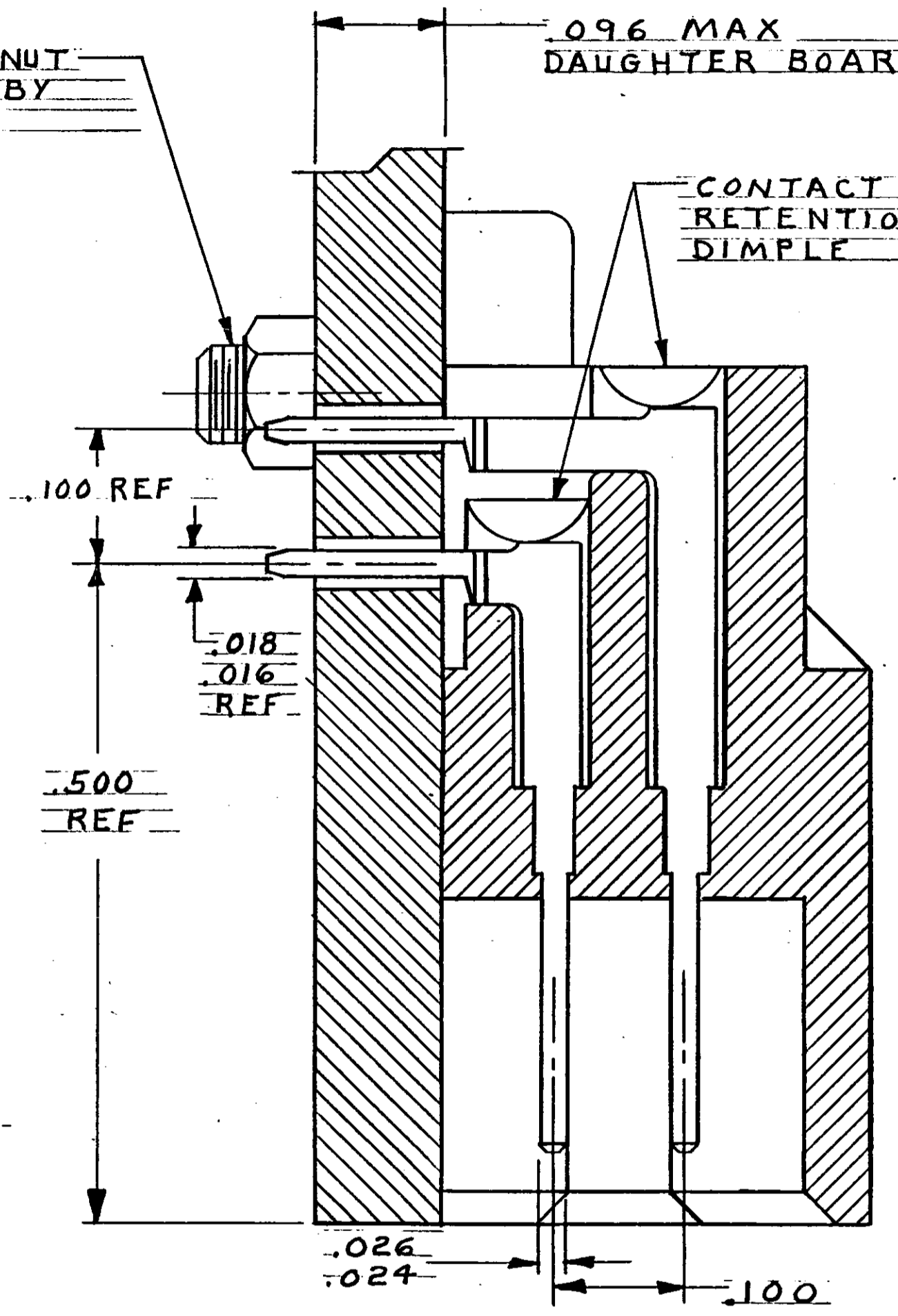
REVISIONS				
P	F	ZONE/LTR	DESCRIPTION	DATE APPROVED
A		G	ECO-08-016194	PY 08-08 JW



BOLT AND NUT SUPPLIED BY CUSTOMER

096 MAX DAUGHTER BOARD

CONTACT RETENTION DIMPLE

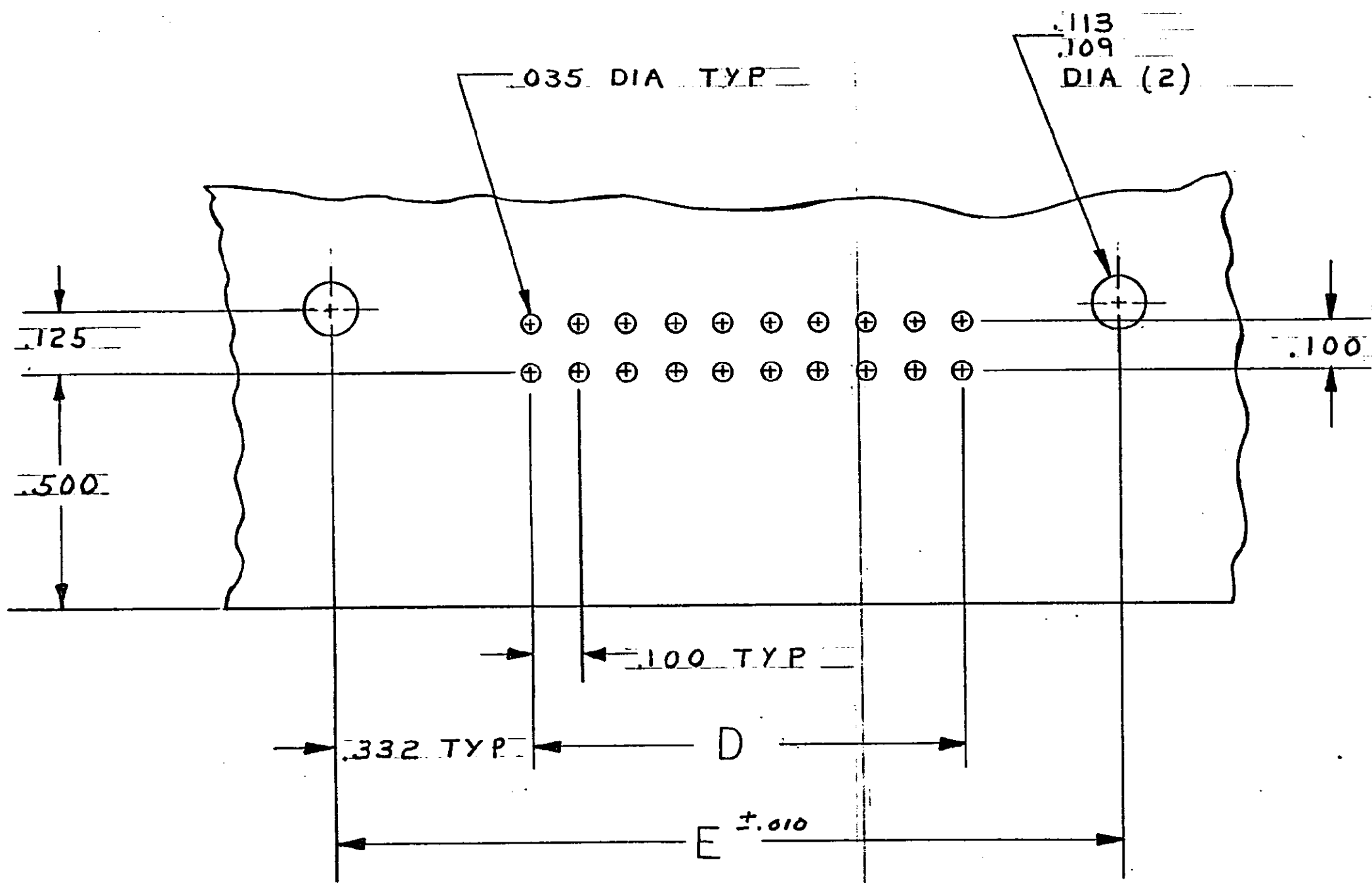


SECTION X-X
SCALE 10:1

UNLESS OTHERWISE SPECIFIED DIMENSIONS ARE IN INCHES. TOLERANCES ON: DECIMALS ±.005 ANGLES ±	CONTRACT NO	AMP AMP INCORPORATED Harrisburg, Pa. 17105		
	DR <i>M. Smith</i> 10-26-81	NAME BOX CONNECTOR, RIGHT ANGLE, PIN ASSY, 100I SERIES		
	MATERIAL ② ③	CHK <i>W. Fitchard Jr</i> 12-16-81	SIZE C	FSCM NO 00779
	FINISH ④	APPD <i>W. Fitchard Jr</i> 12-16-81	DRAWING NO 531721	SCALE 4:1
	OTHER APPD <i>E.T. Parsons</i>	DGSN APPD	SHEET 1 OF 2	

THIS DRAWING IS UNPUBLISHED. RELEASED FOR PUBLICATION, 19
 © COPYRIGHT 19 BY AMP INCORPORATED, HARRISBURG, PA. ALL INTERNATIONAL RIGHTS RESERVED. AMP PRODUCTS MAY BE COVERED BY U.S. AND FOREIGN PATENTS AND/OR PATENTS PENDING.

P		F		ZONE		LTR		REVISIONS		DATE	APPROVED
								DESCRIPTION			
								SEE SHEET 1			



- 1 AMP, 00779, PART NO & DATE CODE AND MILITARY PART NO MARKED IN APPROX AREA
- 2 HOUSING: GLASS FILLED POLYESTER COLOR - BLUE
- 3 CONTACT: BRASS
- 4 CONTACT FINISH: .000050 GOLD IN CONTACT AREA, TIN-LEAD ON SOLDER TAILS, NICKEL UNDERPLATE.
- 5 MIL-C-55302 INSPECTION REQUIRED.
- 6 NUMBERS AND LINES INDICATING EVERY FIVE CAVITIES MARKED ON MATING FACE, NUMBERS INDICATING EVERY FIVE CAVITIES MARKED ON SIDE
- 7 KEY POSITION IDENTIFICATION MOLDED ON SURFACE SHOWN.

RECOMMENDED P.C. BOARD LAYOUT

M 55302/110-31	1 - 71	7.565	6.900	69	7.565	7.855	140	1-531721-3
	-30	7.265	6.600	66	7.265	7.555	134	1- -2
	-29	7.065	6.400	64	7.065	7.355	130	1- -1
	-28	6.565	5.900	59	6.565	6.855	120	1- -0
	-18	6.065	5.400	54	6.065	6.355	110	-9
	-17	5.565	4.900	49	5.565	5.855	100	-8
	-16	5.065	4.400	44	5.065	5.355	90	-7
	-15	4.565	3.900	39	4.565	4.855	80	-6
	-14	4.065	3.400	34	4.065	4.355	70	-5
	-13	3.565	2.900	29	3.565	3.855	60	-4
	-12	3.065	2.400	24	3.065	3.355	50	-3
	-11	2.565	1.900	19	2.565	2.855	40	-2
M 55302/110-10	1 - 16	2.065	1.400	14	2.065	2.355	30	531721-1
MILITARY PART NO.	CONTACT IDENT NO.	E	D	C	B	A	NO. POS	PART NO

UNLESS OTHERWISE SPECIFIED DIMENSIONS ARE IN INCHES. TOLERANCES ON: DECIMALS ±.005 ANGLES	CONTRACT NO	AMP INCORPORATED Harrisburg, Pa. 17105	
	DR <i>M. Smick</i> 10-27-81 CHK <i>W. Hutchard Jr</i> 12-16-81 APPD <i>W. Hutchard Jr</i> 12-16-81 APPD <i>E.T. Parsons</i> 12-22-81	NAME BOX CONNECTOR, RIGHT ANGLE, PIN ASSY, 100I SERIES	
MATERIAL 2 3	DSGN APPD	SIZE C	FSCM NO 00779
FINISH 4	OTHER APPD	DRAWING NO 531721	REV G
		SCALE 4:1	SHEET 2

531721